

T ECHNICAL INFORMATION



New Tool

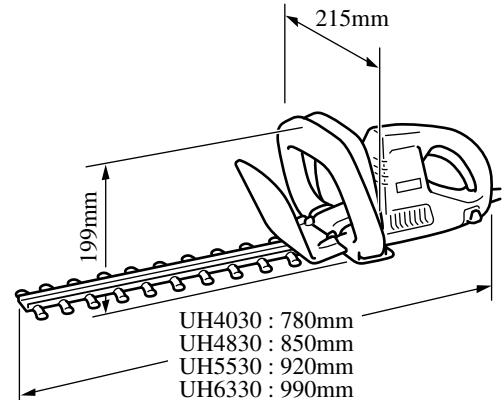
For Models ▶ UH4030,UH4830,UH5530,UH6330

Description ▶ Hedge Trimmers

CONCEPTION AND MAIN APPLICATIONS

New Hedge trimmers with Clutch and Double hand- switches, of which handle shape was completely changed for easy operation of various working postures in trimming horisonlal/vertical faces of hedges. Comparing to existing UH4520 series, the cost and weight has been reduced, and Electric brake to stop Blade within 0.5 sec. is attached.

Blade length: UH4030 400mm UH4830 480mm
UH5530 550mm UH6330 630mm



► Specifications

| Voltage(V) | Current(A) | Cycle(Hz) | Continuous Rating(W) | | Max. Output(W) |
|------------|------------|-----------|----------------------|--------|----------------|
| | | | Input | Output | |
| 220-240 | 2.3 | 50-60 | 500 | 230 | 400 |

| | | |
|------------------------|--------|---------|
| No load speed | | 1500rpm |
| Effective blade length | UH4030 | 400mm |
| | UH4830 | 480mm |
| | UH5530 | 550mm |
| | UH6330 | 630mm |
| Net weight | UH4030 | 3.0kg |
| | UH4830 | 3.1kg |
| | UH5530 | 3.2kg |
| | UH6330 | 3.3kg |
| Power supply cord | | 0.3m |

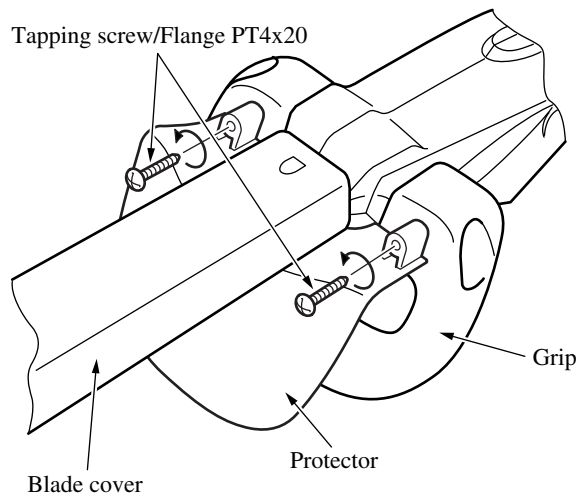
► Standard equipment

Blade cover

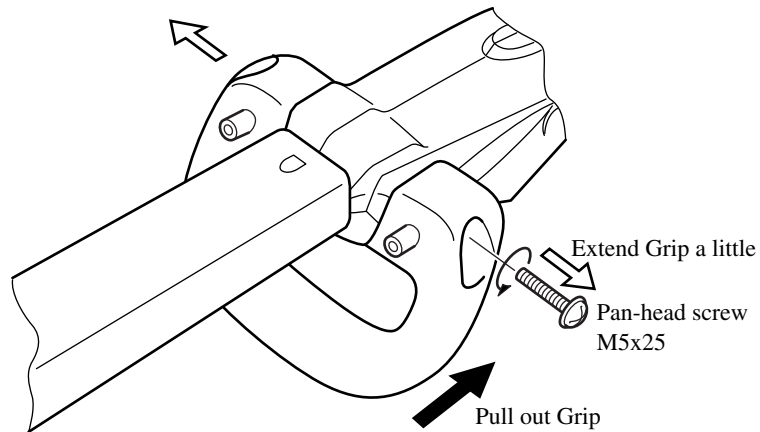
► Repair

1 Disassembly of Housing

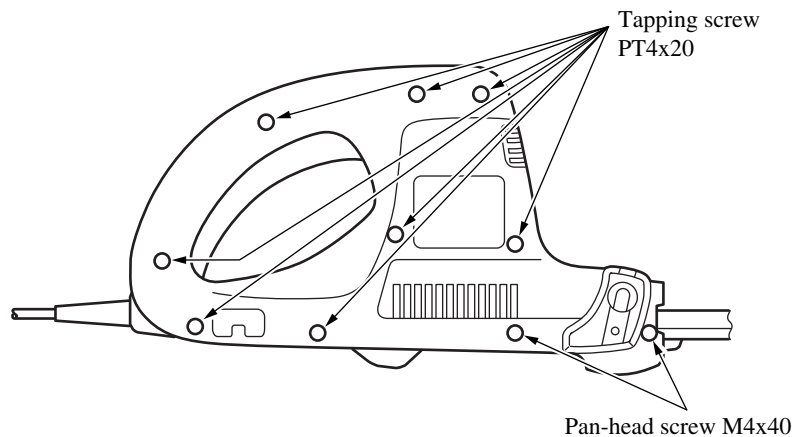
(1) Loosen Tapping screws/Flange PT4x20s (2 pcs) fixing Protector with Grip, and take away Protector.



(2) Loosen Pan head screw M5x25s (2 pcs) fixing Grip with Housing, and pull out Grip toward the arrow direction, extending it outside a little.

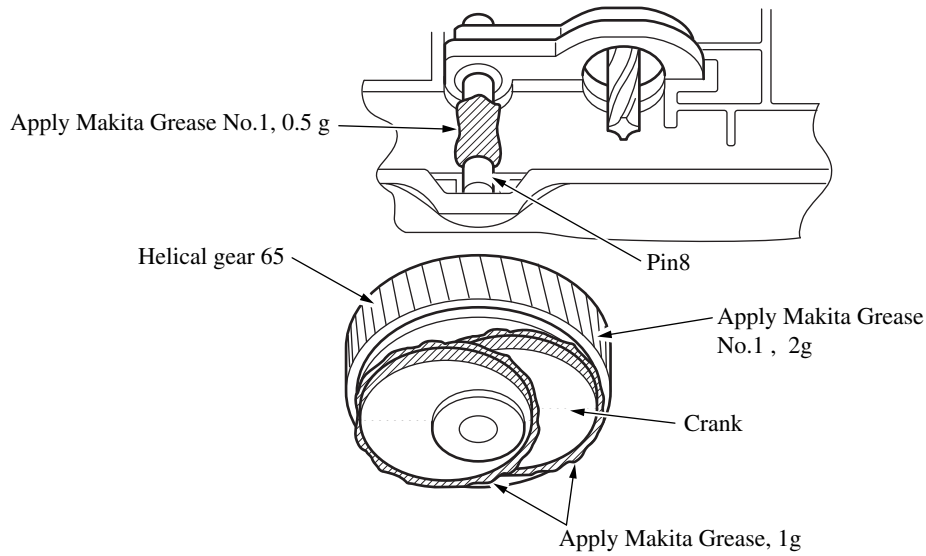


(3) Loosen Tapping screws PT4x20 (8 pcs) fixing Housing R/L and Pan-head z screw M4x40s (2 pcs) fixing Shear blade assembly, and separate Housing R from Housing L.



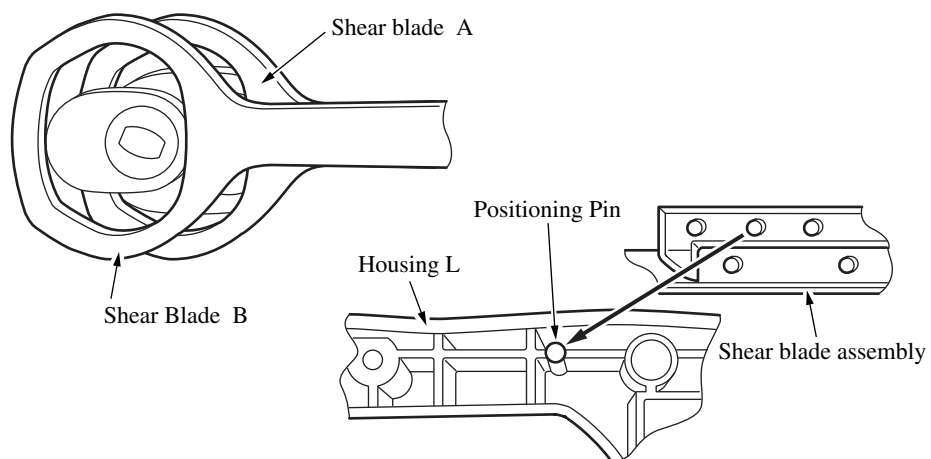
2 Replacing Gear Assembly65

When replacing Gear assembly65, apply Makita Grease No.1 --- 0.5g to Pin 8, 2 g all around Helical gear 65, and 1 g on outer circle of Crank respectively.



3 Replacing Shear blade assembly

When replacing Shear blade assembly, put Shear Blades, A and B, into driving Crank each, and place them into positioning Pin for Housing L surely.



4 Tightening torque of Tapping screw/Flange PT4x20

Tighten them with tool setup torque , 13~18 kgs.cm.

► Wiring Diagram

For 220/240V areas (Europe, Asia, Oceania)

