

# T ECHNICAL INFORMATION



New Tool

**Models No.** ▶ 8406

**Description** ▶ Diamond Core Hammer Drill

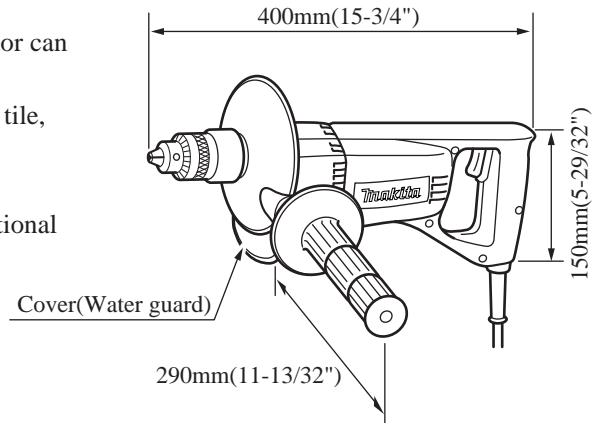
## CONCEPTION AND MAIN APPLICATIONS

This hammer drill with torque limiter and powerful motor can accept a large diamond core bit 150 mm(5-7/8") in dia.

This tool is ideal for making clean-cut, smooth holes in tile, ferroconcrete, marble, brick, etc.

(Note)

Cover (Water guard) shown in the right sketch is an optional Accessory.



### ► Specifications

Voltage (V)	Current (A)	Cycle (Hz)	Continuous Rating (W)		Max. Output(W)
			Input	Output	
100	8	50/60	760	440	920
115	8	50/60	850	530	920
200	4.5	50/60	850	530	920
220	4.1	50/60	850	530	920
230	3.9	50/60	850	530	920
240	3.8	50/60	850	530	920

<b>No Load Speed</b>	0 - 1,500 R/min.
<b>Blows per minute</b>	0 - 22,500
<b>Net Weight</b>	3.3 Kg (73 lbs)

Max Capacities

<b>Concrete</b>	150mm (5-7/8") with diamond core bit
	20mm (3/4") with tungsten-carbide tipped bit
<b>Steel</b>	13mm(1/2")
<b>Wood</b>	30mm(1-1/8")

### ► Standard equipment

Chuck key S13

### ► Optional accessories

Tungsten-carbide tipped bit 5, 6.5, 7.5, 8, 8.5, 9.5, 10.5, 11, 12.5, 14, 16, 19, Hole saw assembly 79, 95, Diamond core bit (wet type) 32, 38, 54, 65, 70, 80,105,120, Diamond core bit (dry type) 65,70, Water protection collar,Cover (Water guard)